

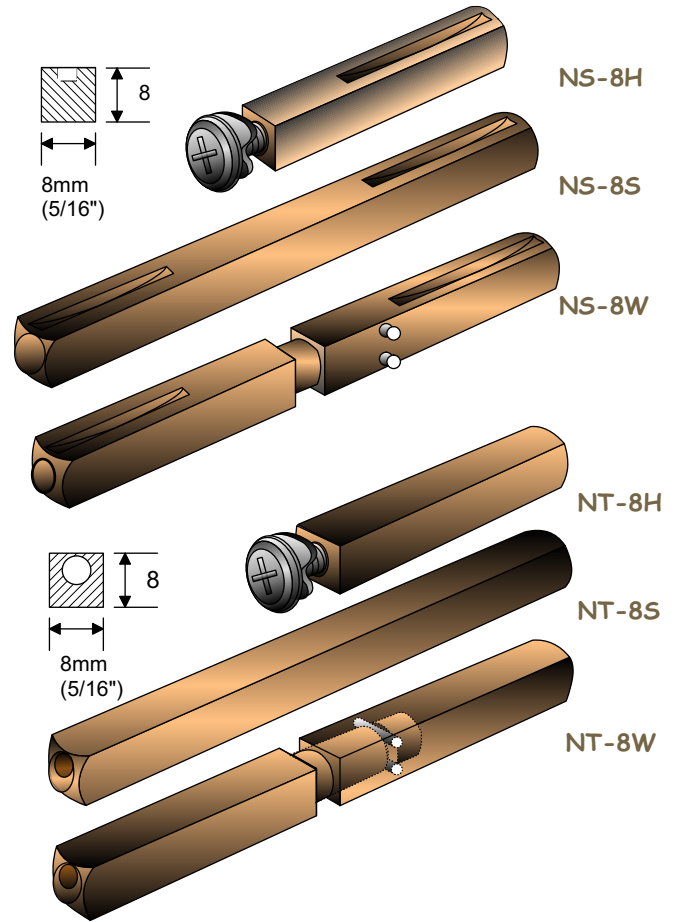
## Series 'N' Spindle, Dummy Plate and Hub Sleeve

### Spindles

Baton's series 'N' Spindles are made of wrought steel for 8mm hub. Two styles are available: 'NS' Spindles feature groove cut, facilitating the set screw of Knob/Lever mount without slipping. 'NT' Spindles feature a 7/16" off-center hole drilled to allow the pointed set screw to stick on to the spindle. Both styles are available with the following models:

- Half Spindle - for Grip Handle on one side with interior Knob/Lever trim (HL or HK).
- Solid Spindle - one piece construction, for Passage.
- Swivel Spindle - for Privacy and Entrance.

Stock No.	Description
NS-8H-275	Half Spindle 2.75"
NS-8S-400	Solid Spindle 4"
NS-8S-450	Solid Spindle 4.5"
NS-8S-500	Solid Spindle 5"
NS-8W-400	Swivel Spindle 4"
NS-8W-450	Swivel Spindle 4.5"
NS-8W-500	Swivel Spindle 5"
NT-8H-275	Half Spindle 3.5"
NT-8S-400	Solid Spindle 4"
NT-8S-437	Solid Spindle 4.375"
NT-8S-500	Solid Spindle 5"
NT-8S-700	Solid Spindle 7"
NT-8W-400	Swivel Spindle 4"
NT-8W-437	Swivel Spindle 4.375"
NT-8W-500	Swivel Spindle 5"
NT-8W-700	Swivel Spindle 7"



### Spindle Bracket- for Dummy trim

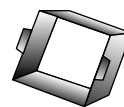
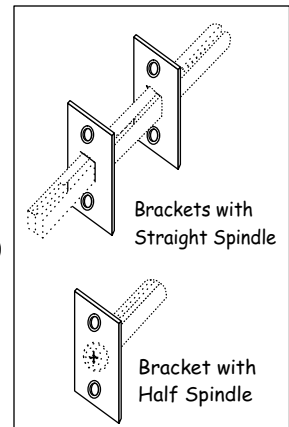
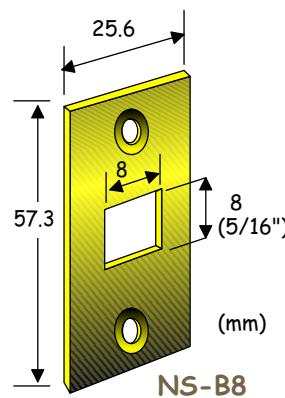
Wrought brass, can be accommodated with

- Half Spindle for single side dummy trim mount,
- Straight Spindle for double side dummy trim mount, or
- Swivel Spindle for one side dummy and other side active.

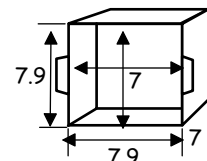
### Hub Sleeve 7x7mm

-for converting a mortise lock case or Tubular Latch to take a 7x7mm spindle from a regular 8mm Hub. For the split hub application, simply insert the Hub Sleeve from each side of the Hubs.

Stock No.	Description
NS-B8	Spindle Bracket, w/2 screws
NZ-H7	Hub Sleeve 7x7mm



NZ-HS7



## Model RK-20 Rekeying Kit & SB/SL Key Blanks

This rekeying pin kit is designed for Baton cylinders that are stamped with 'BC' code or other compatible cylinders.

AC29/30/31 - Mortise Cylinders,

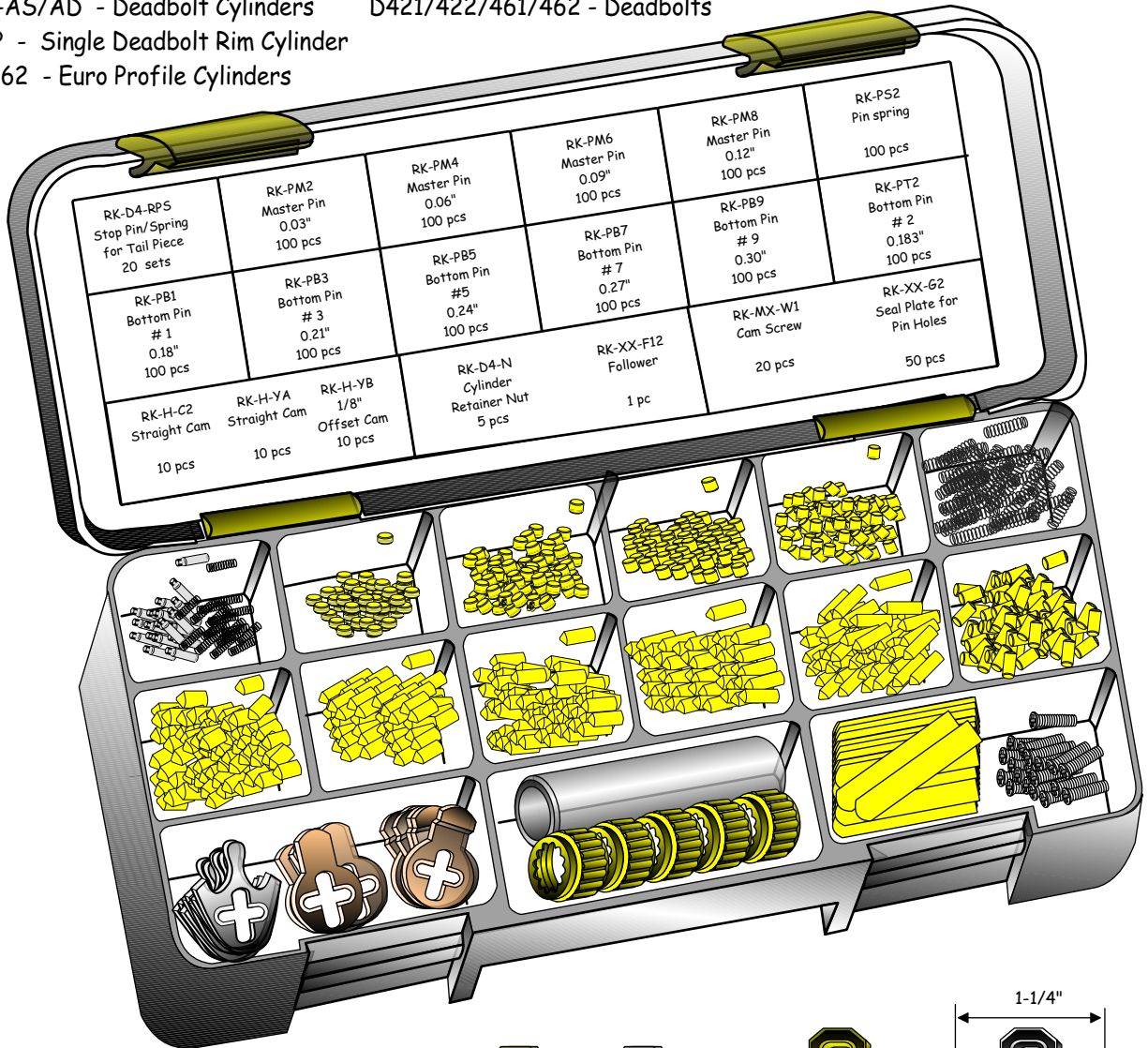
D400-AK5/AK6 - Key in knob Cylinders

D400-AS/AD - Deadbolt Cylinders

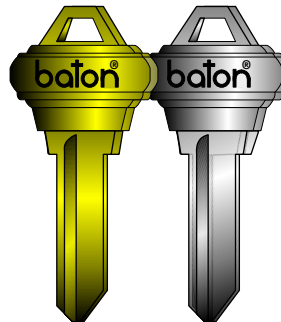
D421/422/461/462 - Deadbolts

D451P - Single Deadbolt Rim Cylinder

EC61/62 - Euro Profile Cylinders



Stock No.	Description
RK-20	Rekeying Pin Kit
RK-SCB-KB6	6 pin, brass/nickel plated
RK-SCN-KB6	6 pin, nickel silver
RK-SLB-KB4	4 pin, brass/nickel plated
RK-SLB-KB5	5 pin, brass/nickel plated
RK-SLB-KB6	5 pin, brass/nickel plated
RK-SLN-KB5	5 pin, nickel silver
RK-SLN-KB6	6 pin, nickel silver



SCN

SCB



SLN



SLB

## Model RK-20D Rekeying Kit

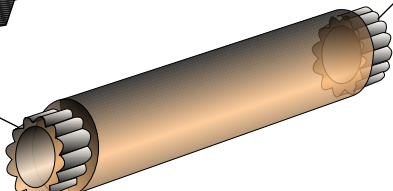
This rekeying pin kit is designed for the Baton cylinder that is constructed with 2.5mm in diameter pins:

AC26 - Mortise Cylinders

EC-51/52 Euro Profile Cylinder

5310 - Lockblock/Hotel Safe Lock



12 T.  14 T.

**RK-D4-NR**  
Retainer Remover  
- for D400 key-in-knob  
and deadbolt cylinders.



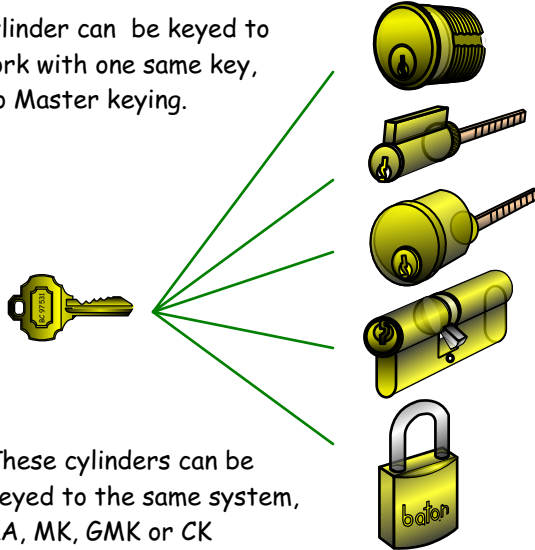
**RK-F7-KB6**  
Key blank

Stock No.	Description
RK-20D	Rekeying Pin Kit - dimple system
RK-F7-KB6	Key blank, f/5300 and AC26, nickel silver
RK-D4-NR	Retainer remover

Baton's series 'AC', 'D4' and 'EC' cylinders that are constructed with 'Schlage-C' keyway, can be keyed to Keyed Alike (KA), Master Keying (MK), Grand Master Keying (GMK) or Construction Keying (CK1, CK2). Please call our CSR for the details.

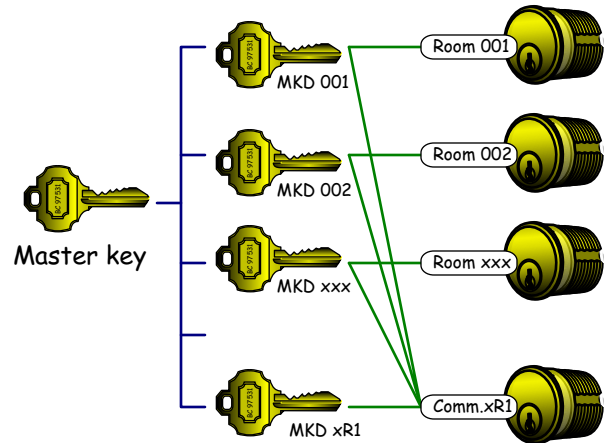
### KA - Keyed Alike - one key fits all

Cylinder can be keyed to work with one same key, No Master keying.

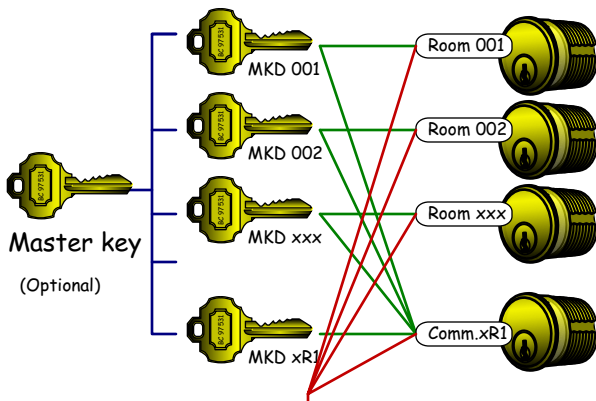


### MK - Master Keying

Each lock is operative with it's own key; the management has one key that operates all locks within the system



### CK - Construction Keying



Construction key - Level 1

Voided after any of the Construction key Level 2, individual key, or Master key is operated



Construction key - Level 2

voids the construction key Level 1. Voided after the individual key or MK key is operated.

### GMK - Grand Master Keying

One GMK key operates two or more MK systems

