

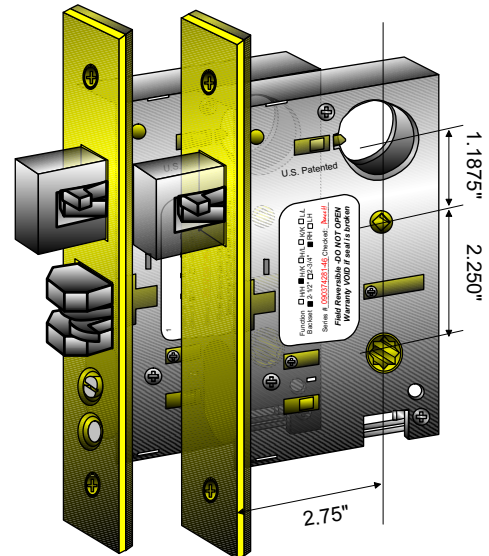
## A700 Barn/Pocket door lock cases

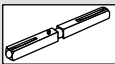
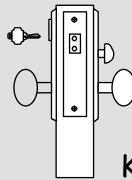
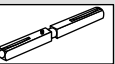
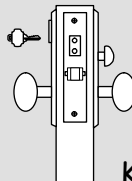
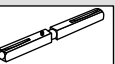
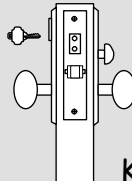
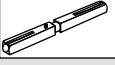
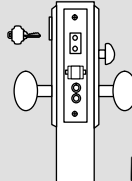
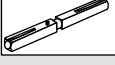
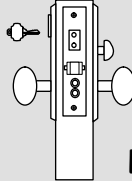
Baton series A Mortise Lock case of the Entrance and Dormitory functions are available to order with hook bolt type Latch and Deadbolt for the Barn door. The hook is constructed to allow lock on to the strike plate when door is slid to close; and are applicable both for single and double cylinders. The hooks are released when Latch or Deadbolt is retracted.

Backset : 2-3/4"

Finishes: 10B, 19, 3, 32, 32D, 4

Furnished with Faceplate, Strike and mounting Screws.



Model No	Backset	Function	Depiction	Specify Trim style to fit when ordering
A751	2.75"	<b>STOREROOM **</b> Hookbolt is operated by key either side or by turn piece from inside. Inside knob/lever retracts hookbolt. Outside knob/lever is always inoperative.	 	KK LL
A761	2.75"	<b>DORMITORY ** (without egress)</b> Latch by knob/lever from either side except when projected Hookbolt locks outside/inside knobs/lever and deadlocks Latch. Hookbolt by key outside, by turn piece inside, automatically unlocking outside/inside knob/lever.	 	KK LL
A762	2.75"	<b>DORMITORY (with egress)</b> Latch by knob/lever on either side except when projected Hookbolt locks outside knob/lever and deadlocks Latch. Hookbolt and Latch by key outside. Hookbolt by Turn Piece inside. Inside knob/lever retracts Latch and Hookbolt simultaneously, automatically unlocking outside knob/lever.	 	KK LL
A763	2.75"	<b>ENTRANCE ** (without egress)</b> Latch by knob/lever from either side except when outside is locked by Stop Button; then by key from outside, by knob/lever from inside. Hockbolt by Turn Piece from inside, by key from outside.	 	KK LL
A764	2.75"	<b>ENTRANCE (with egress)</b> Latch by knob/lever from either side except when outside is locked by Stop Button or projected Hockbolt. Latch deadlocked by Hockbolt. Hockbolt and Latch by key outside. Hockbolt by Turn Piece inside. Inside knob/lever retracts Latch & Hockbolt simultaneously.	 	KK LL

\*\*\* Applies for Single or Double Cylinders

Models A775 Mortise Dead Lock and Hook Lock Cases are made of heavy wrought steel, zinc plated, constructed with a 1" throw deadlocking bolt. The 1" throw bolt can be operated by mortise cylinder (see page 20, 21) and or thumb turn (see page 83) either side or both sides. The 0.95" wide adjustable armor front accommodates both thin or thick and beveled or flat-edged doors. Non-handed. Two models are available:

Model A775PX Hook Bolt style lock case is constructed with a pair of hooks over the forged brass bolt, allowing lock on to the strike plate when door is closed. The hooks are released when bolt is retracted. Two anti-saw hardened steel rollers are installed to add to security. The lock case takes a standard mortise cylinder (1.15" - 32uns-2b) with a 'Y\_' type cam.

Model A775XX Deadbolt style lock case is constructed with a solid stainless steel deadbolt, can be driven by a standard mortise cylinder with C1 cam.

Furnished with Faceplate, Strike(AZ-SP1) and mounting Screws.

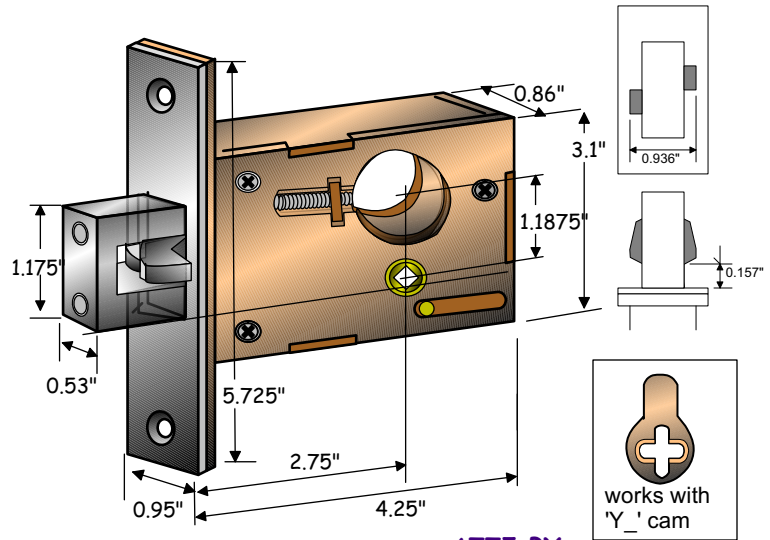
Hub size : 5.1mm on diamond.

Backset : 2-3/4" (70mm)

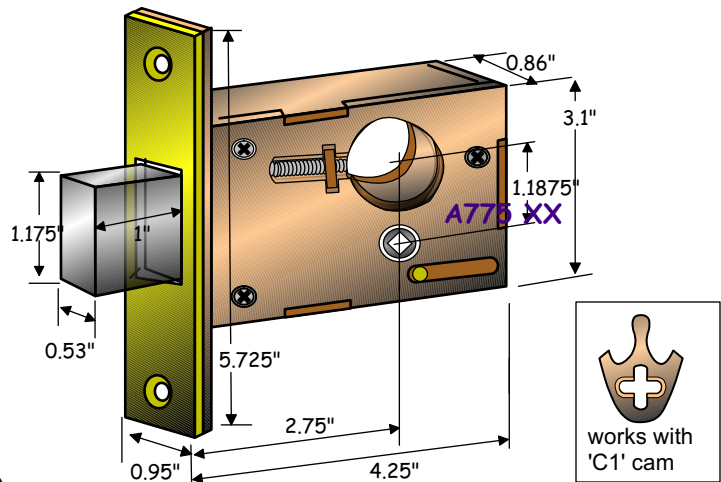
Finish : US10B, 15A, 3, 26D

Stock No.	Description	Cam type
A775XX5S	Mortise Dead Lock Case	C1
A775PX5C	Mortise Hook Lock Case	YA, YB

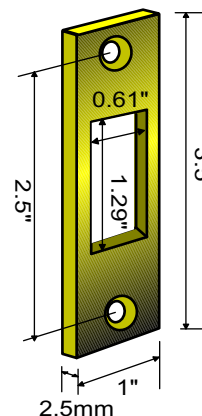
Note: 1) Cylinder excluded. Please refer to Page 20~21 for Series 'AC' Solid Brass Mortise Cylinders, and page 22, page 25 for the Security Collars.  
2) Thumb Turn - please refer to 'TX' series.



A775 PX



A775 XX



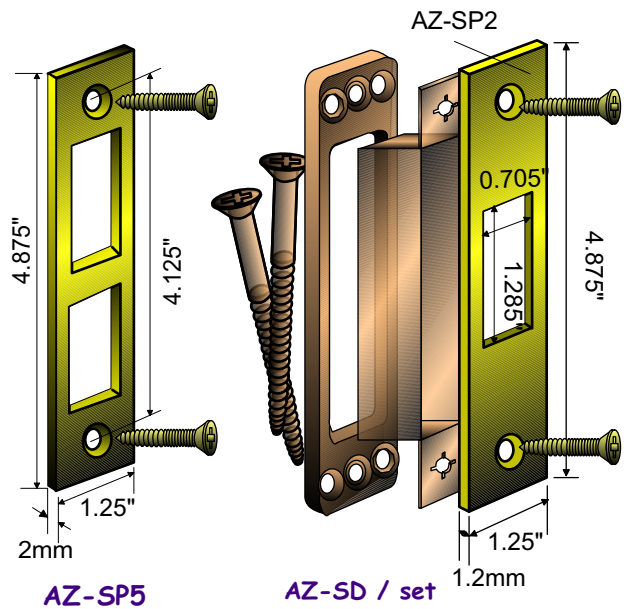
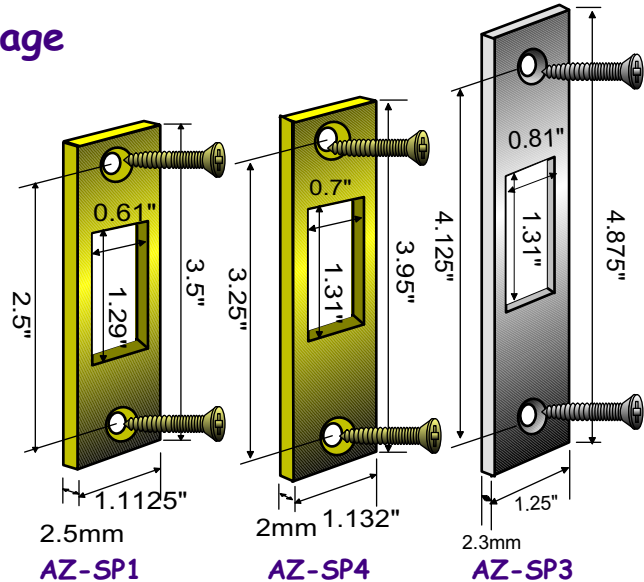
AZ-SP1

### Strike and Strike Block Assemblage

Strike Block Assemblages and Strikes in various sizes for Deadlock, Hocklock/ Pocket locks are stocked constantly for your convenience.

Strikes: 4 styles are available.  
Furnished with #12 + 12-24 x 1" double threaded combination screws x 2.

The Strike Block Assemblage consists of the finished Strike, Screws, a metal Dust Box and a 3mm thick heavy duty Security Strike. The two 3" long wood screws allow the Security Strike to be bolted into the door frame deeply for additional security.



Finishes available from stock:

	10B	15	15A	19	26D	3	4	32D
AZ-SP1	●		●	●	●	●	●	
AZ-SP2	●	●		●	●	●	●	●
AZ-SP3	●	●		●	●	●	●	●
AZ-SP4	●	●		●		●		
AZ-SP5	●			●		●	●	●

Stock No.	Description / size	A578	A617*	A751	A76_	A775PX	A775XX
AZ-SP1-	Strike, 3.5"L x 1.125"W X2.5mmT		●			●	●
AZ-SP2-	Strike, 4.875"L x 1.25"W x 1.2mmT	●	●	●		●	●
AZ-SP3-	Strike, 4.875"L x 1.25"W x 2mmT	●	●	●		●	●
AZ-SP4-	Strike, 3.95"L x 1.132"W x 2mmT	●	●			●	●
AZ-SP5-	Strike, 4.875"L x 1.25"W x 2mmT				●		
AZ-SD -	Strike Block Assemblage**		●				●

Remark: '\*': Applies to Models A517. A717 and A917.

**Series 'G' Narrow Backset Euro  
Mortise Lock Case (92mm C~C)**

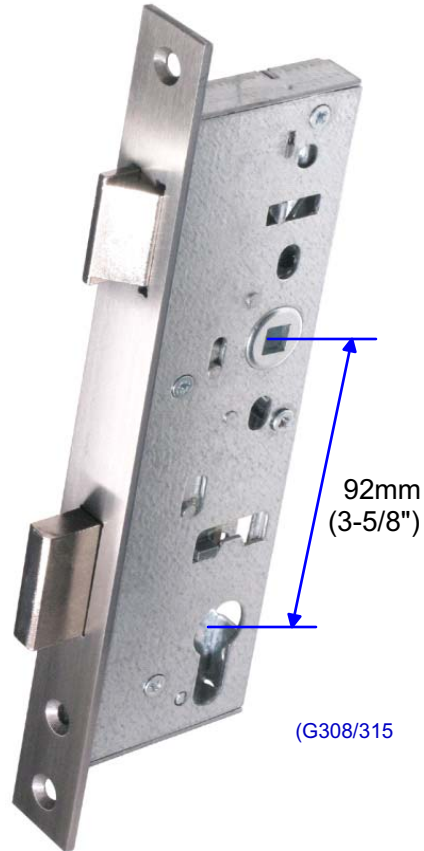
Baton series 'G' European style lever strength Mortise Lock Case has a unique design - requiring only 22 degrees to retract the latch. The mortise lock case takes any standard Euro profile cylinder that is constructed with a 15mm radius free rotation standard cam. See the following page for the Baton 'EC' Euro Profile Cylinders for styles and finishes available from stock.

The 3/4" (19mm) throw metal deadbolt and a non-handed field-reversible spring latch assemblage with other precision working parts are constructed within a 7-7/8" (220mm) high x 11/16" (17mm) thick galvanized steel mortise case and guarded with a 3mm thick stainless steel lock front. Both the exposed latch and deadbolt are chrome plated (D).

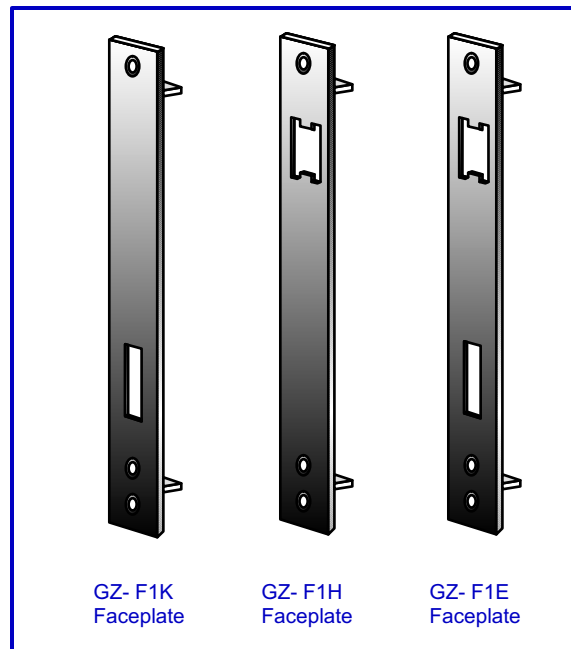
The model G315 Entrance Lock case is featured with egress function - The inside lever retracts latch and deadbolt simultaneously. To employ this function, the outside lever must be set to rigid and works as a door pull. Many other functions are available. Please see next page for functions available.

Strike is a separate purchase item.  
Please refer to GZ-S1C.

Finishes : US32D.  
Hub size: 8mm on square.  
Backset : 25, 30, 35, 40, 45mm



(G308/315)

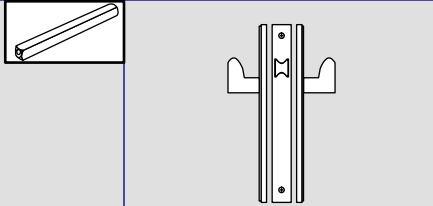
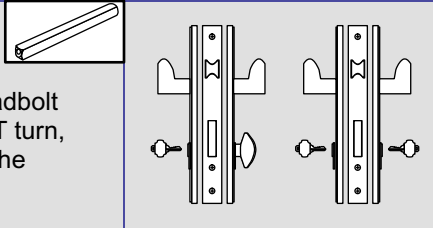
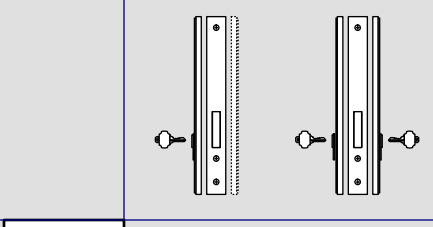
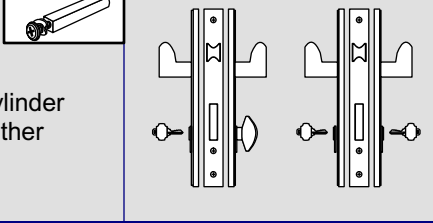


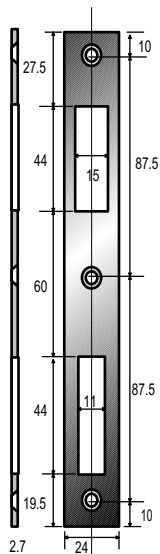
GZ- F1K  
Faceplate

GZ- F1H  
Faceplate

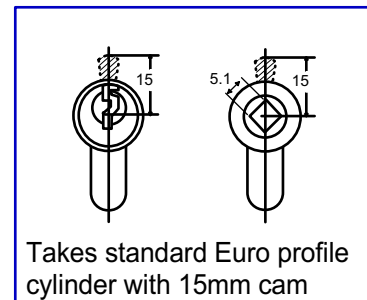
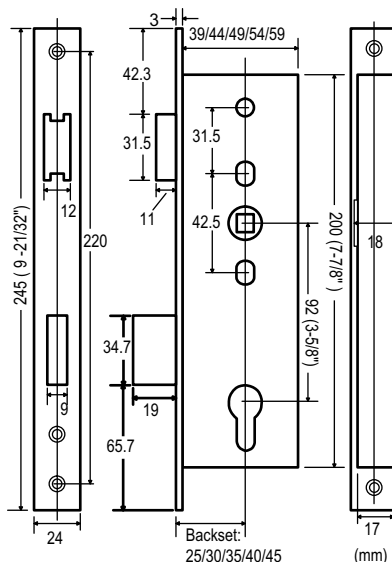
GZ- F1E  
Faceplate

**Series 'G' Euro Mortise Lock Case  
Function Chart and Strike**

Model No	Backset	Function	Depiction
G301LL8D25 G301LL8D30 G301LL8D35 G301LL8D40 G301LL8D45	25mm( 1" ) 30mm(1-3/16") 35mm( 1-3/8" ) 40mm(1-9/16") 45mm( 1-3/4" )	<b>Passage</b>  Latch operated by Lever from either side at all times.	
G308LL8D25 G308LL8D30 G308LL8D35 G308LL8D40 G308LL8D45	25mm( 1" ) 30mm(1-3/16") 35mm( 1-3/8" ) 40mm(1-9/16") 45mm( 1-3/4" )	<b>Entrance (without egress)</b>  Latch by Lever from either side. Deadbolt operated by Profile cylinder, key or T turn, from either side. Continuing to turn the cylinder will retract the Latch	
G317LLND25 G317LLND30 G317LLND35 G317LLND40 G317LLND45	25mm( 1" ) 30mm(1-3/16") 35mm( 1-3/8" ) 40mm(1-9/16") 45mm( 1-3/4" )	<b>Deadlock</b>  Deadbolt operated by Profile cylinder, key or T turn, from one or either side.	
G315LL8D25 G315LL8D30 G315LL8D35 G315LL8D40 G315LL8D45	25mm( 1" ) 30mm(1-3/16") 35mm( 1-3/8" ) 40mm(1-9/16") 45mm( 1-3/4" )	<b>Entrance (with egress)</b>  Outside lever is always inoperative. Latch by Lever from inside and by cylinder outside. Deadbolt by cylinder from either side. Inside Lever retracts latch and deadbolt simultaneously.	



**GZ-S1C  
Strike**



Takes standard Euro profile cylinder with 15mm cam

**Series K500 & K700 Mortise lock cases**  
- for using with Euro profile Cylinder

Baton series K500 and K700 Heavy duty SN Mortise Lock Case are made of heavy gauge steel. The 3mm thick stainless steel lock front is constructed with a U shape bracket to receive the lock case, provides extra strength against heavy blow on impact.

Solid steel hub, 8mm on square, featured with strong spring, requires very small angle rotation to retract the latch bolt. Ideal for use with lever handles, paddle or other exit devices.

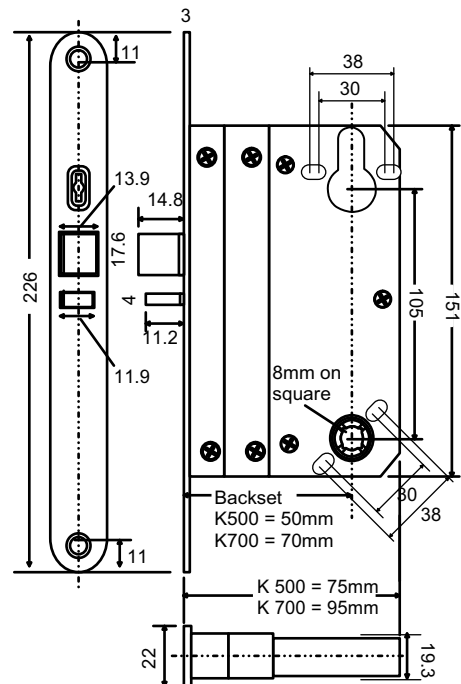
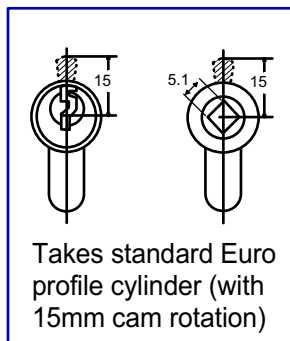
Both of the Spring and Auxiliary Latches are made of solid steel with pioneer design for easy hand change or backset converting without opening the lock case.

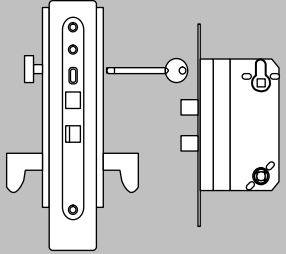
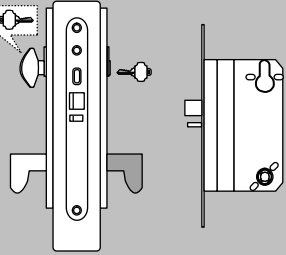
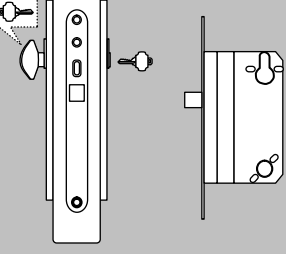
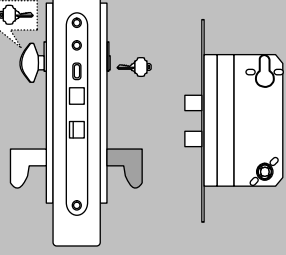
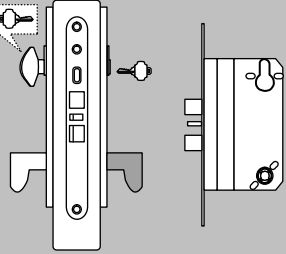
Hold-back feature is installed in all models except the Deadlock; and can be reassumed by using KZ-X214 Hold-back key. Simply open the Hold-back gate by unplugging the plastic seal located above the spring latch; depress both latches into the lock front and retain the latches with the Hold-back key.

Many functions are available. Please see the next page for the details,

Backsets: 50mm, 70mm  
Hub size : 8mm on square

Lock case is packed in plain box individually. Euro Profile Cylinder (see page 41, 42), Strike, Backset Conversion Kits (KZ-X350 for 70mm to 50mm, KZ-X370 for 50mm to 70mm) and Hold-back key (KZ-X214) are separate purchase items.



Model No	Backset	Function	Depiction
K502LL K702LL	50mm 70mm	<p><b>PRIVACY / BATHROOM</b></p> <p>Deadbolt by turn piece from inside, by emergency release key from outside.</p> <p>Latch by Lever from either side.</p> <p>Hub sizes for Turn Piece are available in 5mm or 8mm</p>	
K504LL K704LL	50mm 70mm	<p><b>Deadlocking Nightlatch (with hold-back feature)</b></p> <p>Latch by lever from inside by key outside. Outside Lever is always inoperative. Auxiliary latch deadlocks latch. Withdraw the latch and by using a hold-back key to hold back the latch inside the lock case. The hold back feature can also be inoperative by using the block plate furnished.</p>	
K507LL K707LL	50mm 70mm	<p><b>DEADLOCK</b></p> <p>Deadbolt by key or Turn Piece outside, or both sides.</p>	
K508LL K708LL	50mm 70mm	<p><b>SASHLOCK (with hold-back feature)</b></p> <p>Deadbolt by key from outside and turn piece(or key) from inside. Latch by Lever from either side; or by key outside if outside Lever is set inoperatively.</p> <p>Withdraw the latch and by using a hold-back key to hold back the latch inside the lock case. The hold back feature can also be inoperative by using the block plate furnished.</p>	
K521LL K721LL	50mm 70mm	<p><b>ENTRANCE, Dual Deadlocking (with hold-back feature)</b></p> <p>Deadbolt by key from outside and turn piece(or key) from inside. Latch by Lever from either side; or by key outside if outside Lever is set inoperatively. Auxiliary latch deadlocks latch. Withdraw the latch and by using a hold-back key to hold back the latch inside the lock case. The hold back feature can also be inoperative by using the block plate furnished.</p>	

**Models KZ-X350 & KZ-X370**  
**Conversion Kits for "K" Lock**

Backset Conversion Kits for the series 'K' Mortise Lock cases are available to order.

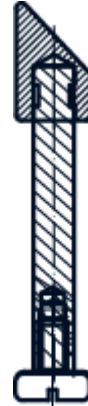
Model KZ-X350 consists of a set including: one piece each of the 50mm Spring Latch and Auxiliary Latch, is ideal for converting to a 50mm backset from a 70mm backset lock case.

Model KZ-X370 consists of a set including: one piece each of the Backset Extended Bracket assemblage, Long Auxiliary Latch, Long Spring Latch and Latch Bracket; is ideal for converting to a 70mm backset from a 50mm backset lock case.

**KZ-X350**  
**Backset Conversion Kit for M560 50mm**



KZ-X062-5  
Short Auxiliary Latch 50mm



KZ-X032-5  
Short Spring Latch 50mm

**KZ-X370**  
**Backset Conversion Kit for K760 70mm**



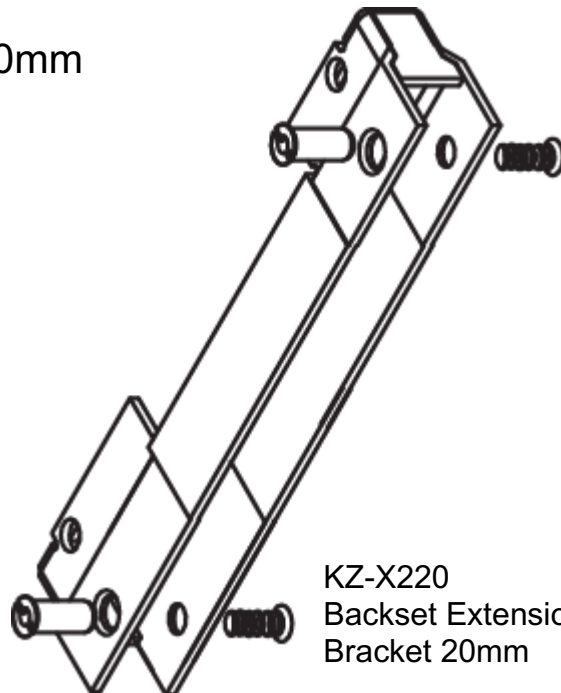
KZ-X062-7  
Long Auxiliary Latch 70mm



KZ-X041-7  
Latch bracket for 70mm



KZ-X032-7  
Long Spring Latch 70mm



KZ-X220  
Backset Extension Bracket 20mm

Model No	Description
KZ-X350	Backset Conversion Kits - for converting to 50mm from a 70mm backset lock
KZ-X370	Backset Conversion Kits - for converting to 70mm from a 50mm backset lock