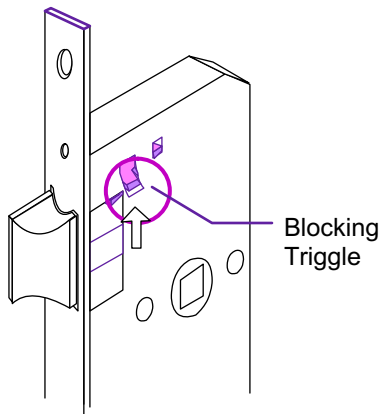


Door Handing & Installation Manual

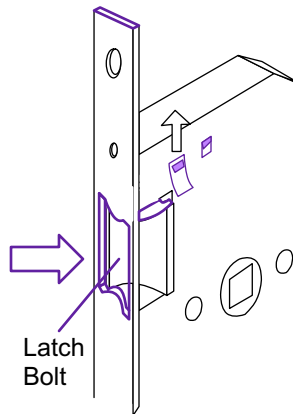
For models E325, E340, E350 Euro Mortise Lock cases

Door Handing :

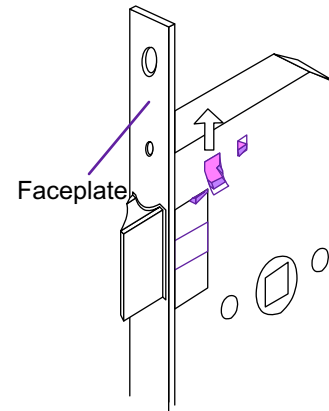
The handing of the Spring Latch of the Baton Series 'E' Euro Mortise Lock Cases are field-reversible. **Removing the case cap to change the handing is not necessary.** Please follow instructions to rotate the Spring Latch and to activate the Hubs.



Step 1 -
Slide up the Blocking Triggle and hold in place



Step 2 -
Snap the Latch Bolt into the lock case and rotate 180 degree



Step 3 -
Release the Latch Bolt in place, into the slot of the Faceplate

Installation instruction:

- 1) Confirm and mark on the Mortise lock case Template for the necessary hole drilling locations.
- 2) Place the Mortise lock case Template on the door at the proper height. Mark the Edge bore and hole locations on Face bore as marked per Step A
- 3) Mark the Strike location by referring the "Line for Strike"
- 4) Mortise from door edge, clean the wood chips
- 5) Insert the lock case into the mortise; line up and mark outline of the Faceplate and mortise 3/32" deep for flush mount.
- 6) Remove the lock case and drill necessary holes on door face. Clean the wood chips
- 7) Install the lock case and fasten with Mounting Screw (2)
- 8) Use the Strike as template and refer to the lines as marked on Step 3.
- 9) Mortise Jam side and install the Strike
- 10) Follow the Trim/Rosette installation instruction to install the Trim/Rosette and Cylinder. Test the lock function before CLOSING DOOR.